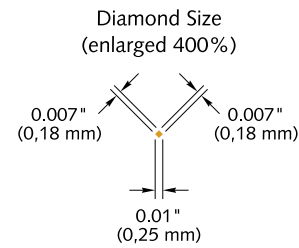
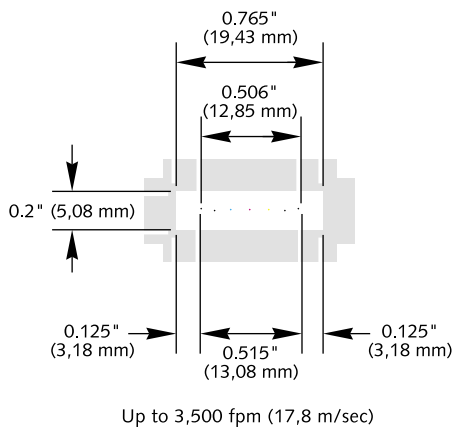


# QuadTech® Register Guidance System with Vector® Register Marks

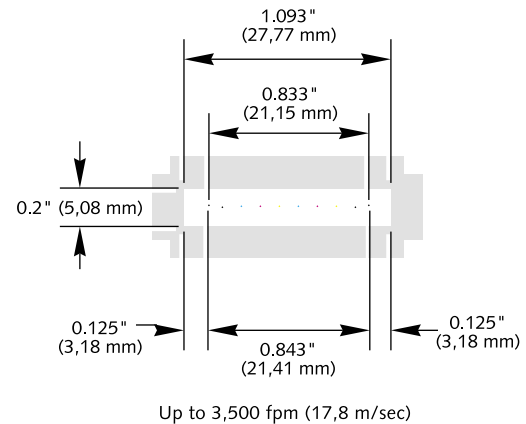
## Functional Description:

The Register Guidance System with Vector® offers multiple mark patterns to meet a wide range of printing needs. The camera can read four, six or eight colors across and in three different diamond sizes. The 0.007" (0,18 mm) mark is depicted on this page.

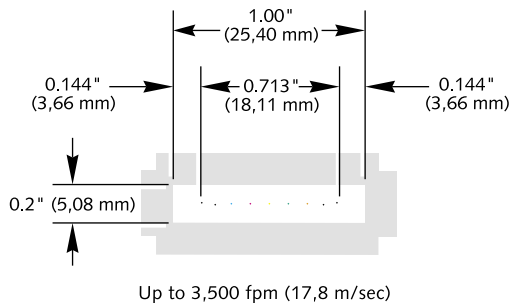
White Space Requirements  
for 4-color Lateral Marks



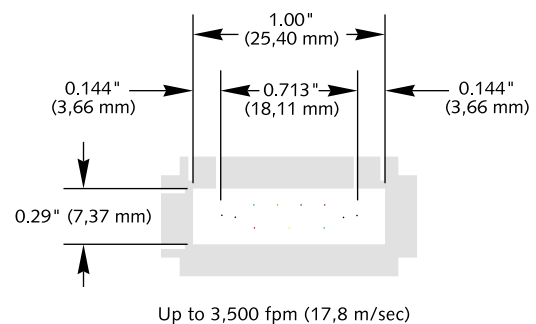
White Space Requirements  
for 4-color Double Lateral Marks

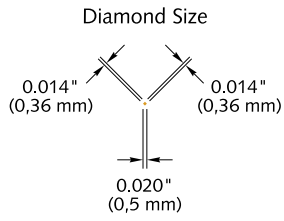


White Space Requirements  
for 6-color Lateral Marks

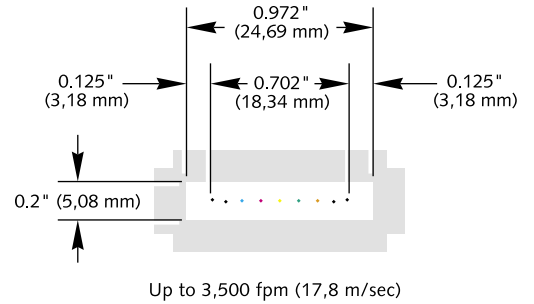


White Space Requirements  
for 8-color Lateral Marks

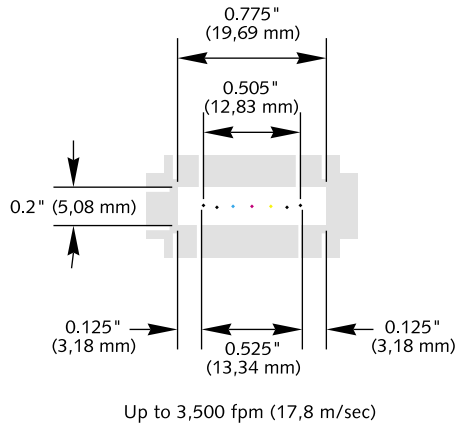




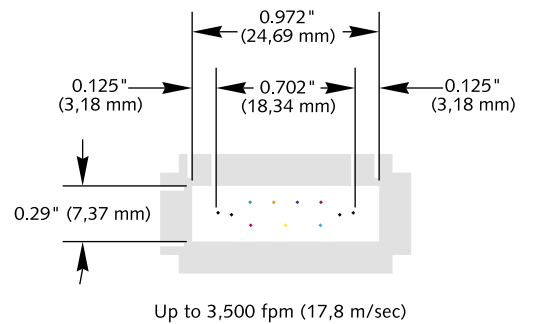
White Space Requirements for 6-color Lateral Marks

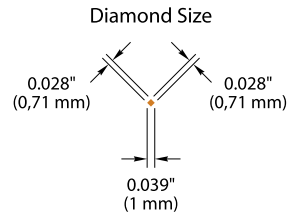


White Space Requirements for 4-color Lateral Marks

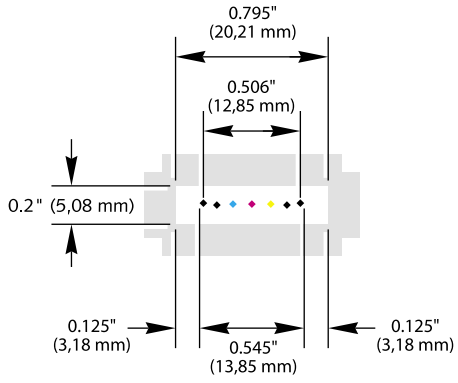


White Space Requirements for 8-color Lateral Marks



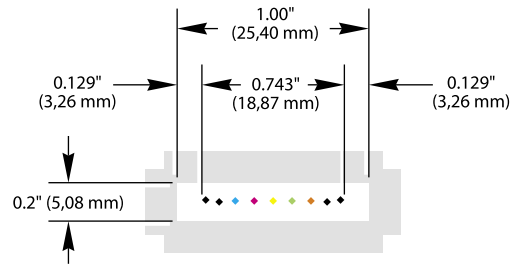


White Space Requirements  
for 4-color Lateral Marks



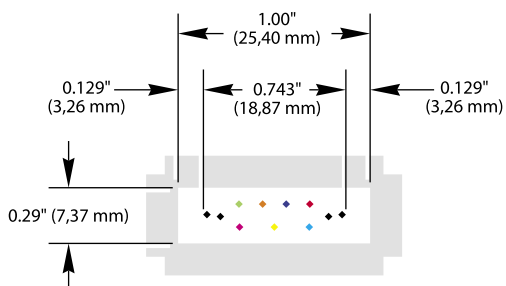
Up to 3,500 fpm (17,8 m/sec)

White Space Requirements  
for 6-color Lateral Marks



Up to 3,500 fpm (17,8 m/sec)

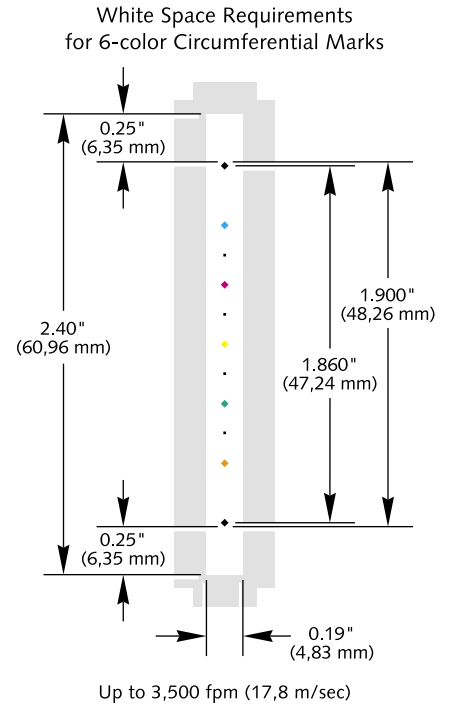
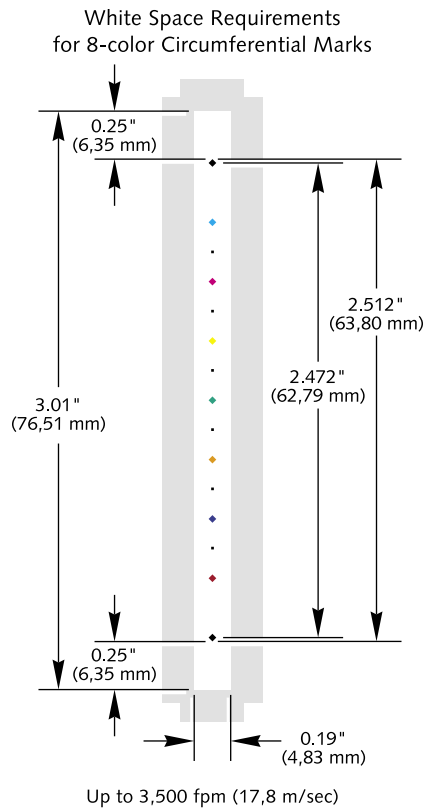
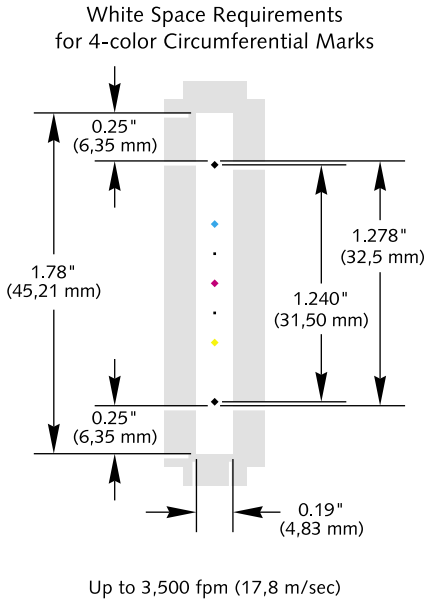
White Space Requirements  
for 8-color Lateral Marks



Up to 3,500 fpm (17,8 m/sec)

## Functional Description:

The Register Guidance System with Vector® offers three circumferential mark patterns to meet a range of printing needs. The camera can read four, six or eight colors ahead.



Specifications subject to change without notice

## Worldwide Sales, Worldwide Support

QuadTech's well-established worldwide sales and support network keeps us in touch with customers everywhere. We have full service offices in the USA, Asia Pacific, Europe, and Japan and are also represented internationally by a complement of agents. Local technical support, including training and field service, is readily available throughout the world. Because we're also committed to achieving the highest standards of quality in our manufacturing and engineering processes, QuadTech is an ISO 9001:2000 registered company.



### The Americas

United States\*  
+1 414 566 7500 TEL  
+1 414 566 9670 FAX

### Asia-Pacific

Singapore  
+65 6538 3517 TEL  
+65 6538 3507 FAX

### India

Ahmedabad  
+91 79 2642 1863 TEL  
+91 79 2644 2263 FAX

### Japan

Osaka  
06 6330 0919 TEL  
06 6330 0867 FAX

Tokyo  
048 839 8831 TEL  
048 839 8821 FAX

### Europe

France  
+33 (0)1 46 74 00 11 TEL  
+33 (0)1 46 74 03 07 FAX

Germany  
+49 (0)69 3300 090 TEL  
+49 (0)69 3300 0920 FAX

Italy  
+39 02 6931 931 TEL  
+39 02 6680 5174 TEL  
+39 02 6680 4139 FAX

The Netherlands  
+31 294 496222 TEL  
+31 294 431016 FAX

United Kingdom  
+44 (0)1442 236655 TEL  
+44 (0)1442 232302 FAX